

MATERIALS:

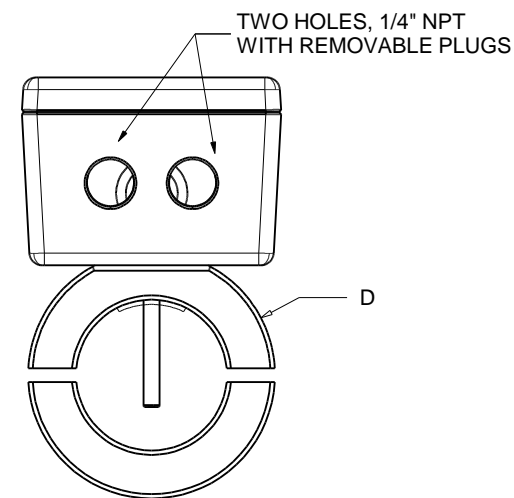
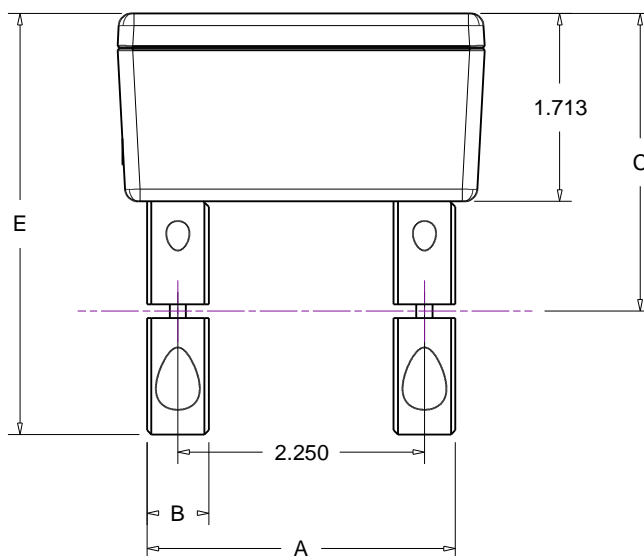
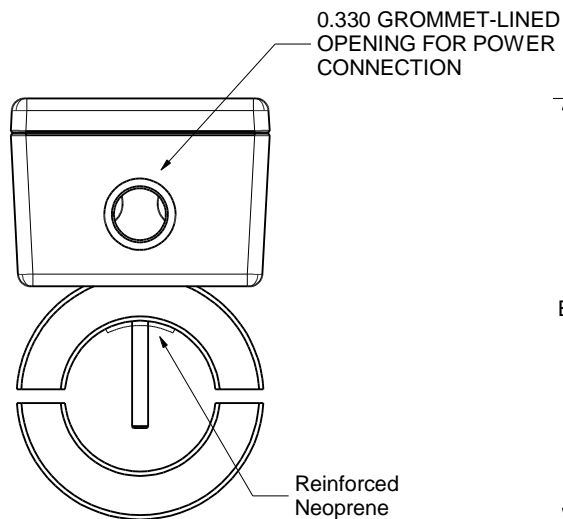
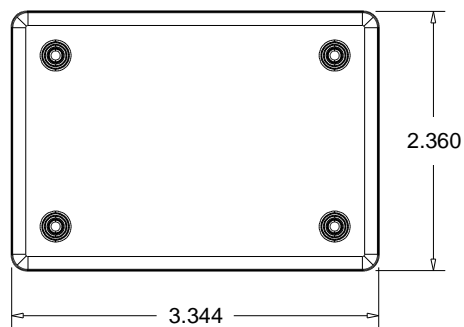
ENCLOSURE

LID - POLYCARBONATE
 BASE - ABS + PC

RINGS - ALUMINUM

**PROBES - TYPE 304 STAINLESS, TIPS
 GOLD PLATED**

METER SIZE	A	B	C	D	E
05S, 07C 25M	2.813	0.563	2.338	1.750	3.276
07S	2.813	0.563	2.463	1.875	3.462
10C	2.813	0.563	2.556	2.062	3.650
10S, 12C	2.813	0.563	2.650	2.250	3.838
15T	2.813	0.563	2.713	2.375	3.962
12S, 15C	2.938	0.688	2.838	2.625	4.212
15S	2.938	0.688	3.026	3.000	4.588



**CDI 5200 REV 3 FLOWMETER
 SHOP DRAWING
 APRIL 2, 2015
 CDI METERS, INC.**