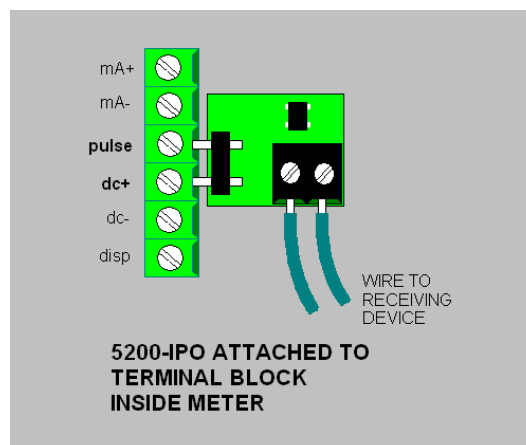


# CDI 5200 IPO

## ISOLATED PULSE OUTPUT FOR CDI FLOWMETERS

- Provides electrical isolation between the flowmeter and a receiving device.
- Wire to a PLC or counter as you would a relay contact.
- Mounts inside flowmeter



The pulse output built into CDI flowmeters is an open-collector transistor output that functions as a switch to the meter's ground. It does not provide electrical isolation between the meter and the receiving device. The IPO provides this isolation.

### DESCRIPTION

The CDI 5200 IPO interface provides an optically-isolated output that simulates a relay contact. The output floats with respect to the meter's ground, and eliminates the need for any direct electrical connection between the meter and the receiving device.

### SPECIFICATIONS

<b>Input power:</b>	2 mA at 18 to 24 Vdc
<b>Max load current:</b>	600 mA
<b>Blocking voltage:</b>	60 V
<b>Output resistance:</b>	0.8 Ohms
<b>Isolation voltage:</b>	1500 Volts

### INSTALLATION AND WIRING

Unscrew the cover of the meter and lift out the display circuit board. The blue jumper wire may be removed from the terminal block, if it is present. Install the 5200-IPO with its two pins in the PULSE and dc+ terminals, and tighten the screws. Connect the wires from the receiving device to the two terminals of the terminal block.

The two terminals are interchangeable. Do not connect a ground wire from the receiving device to the meter unless the meter is being powered by the receiving device.

Do not wire the IPO into a circuit in which the current could exceed 600 mA or the voltage could exceed 60 Volts. Do not connect the IPO between a voltage source and a common or neutral terminal without a suitable current-limiting resistor.